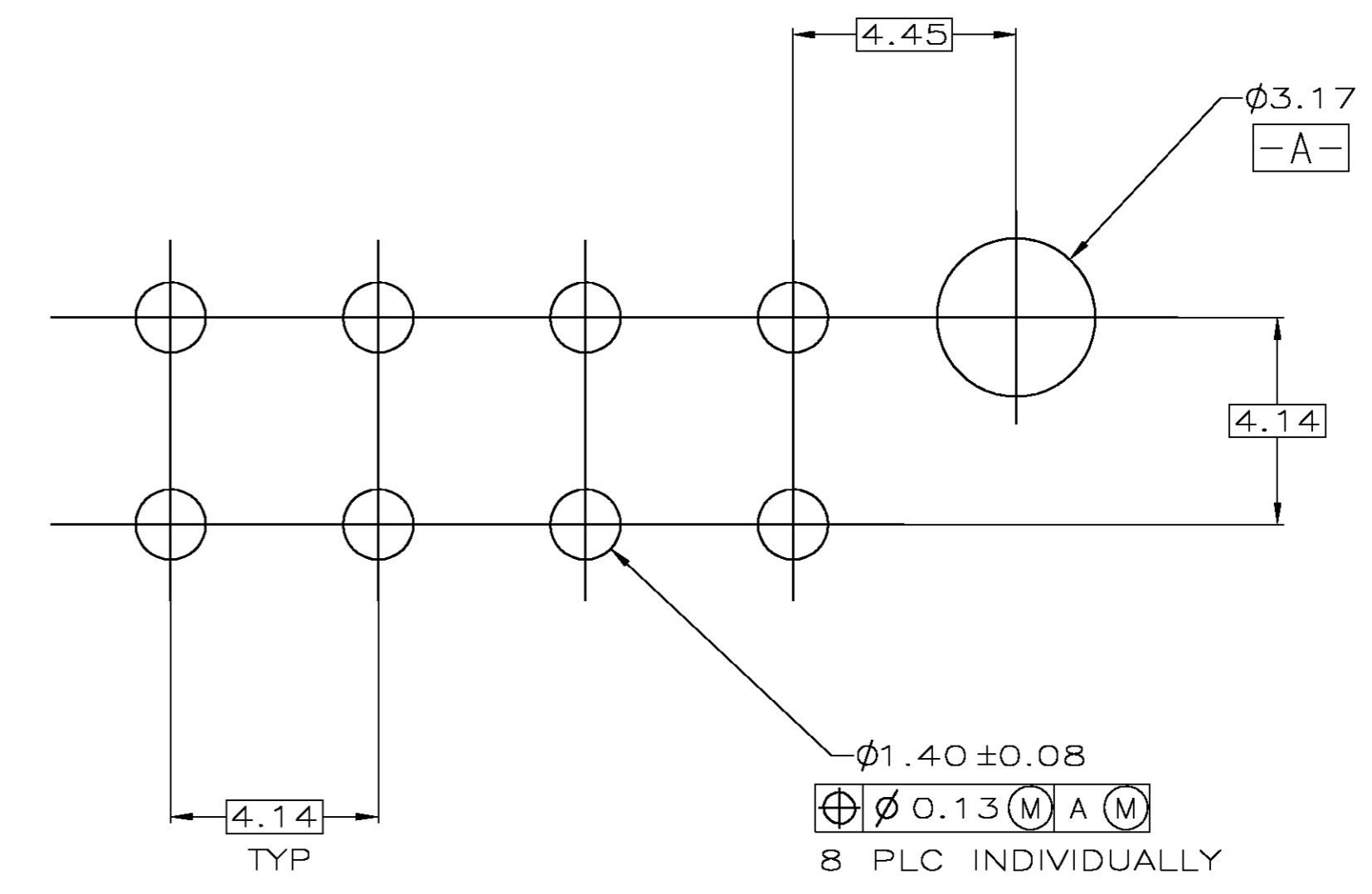
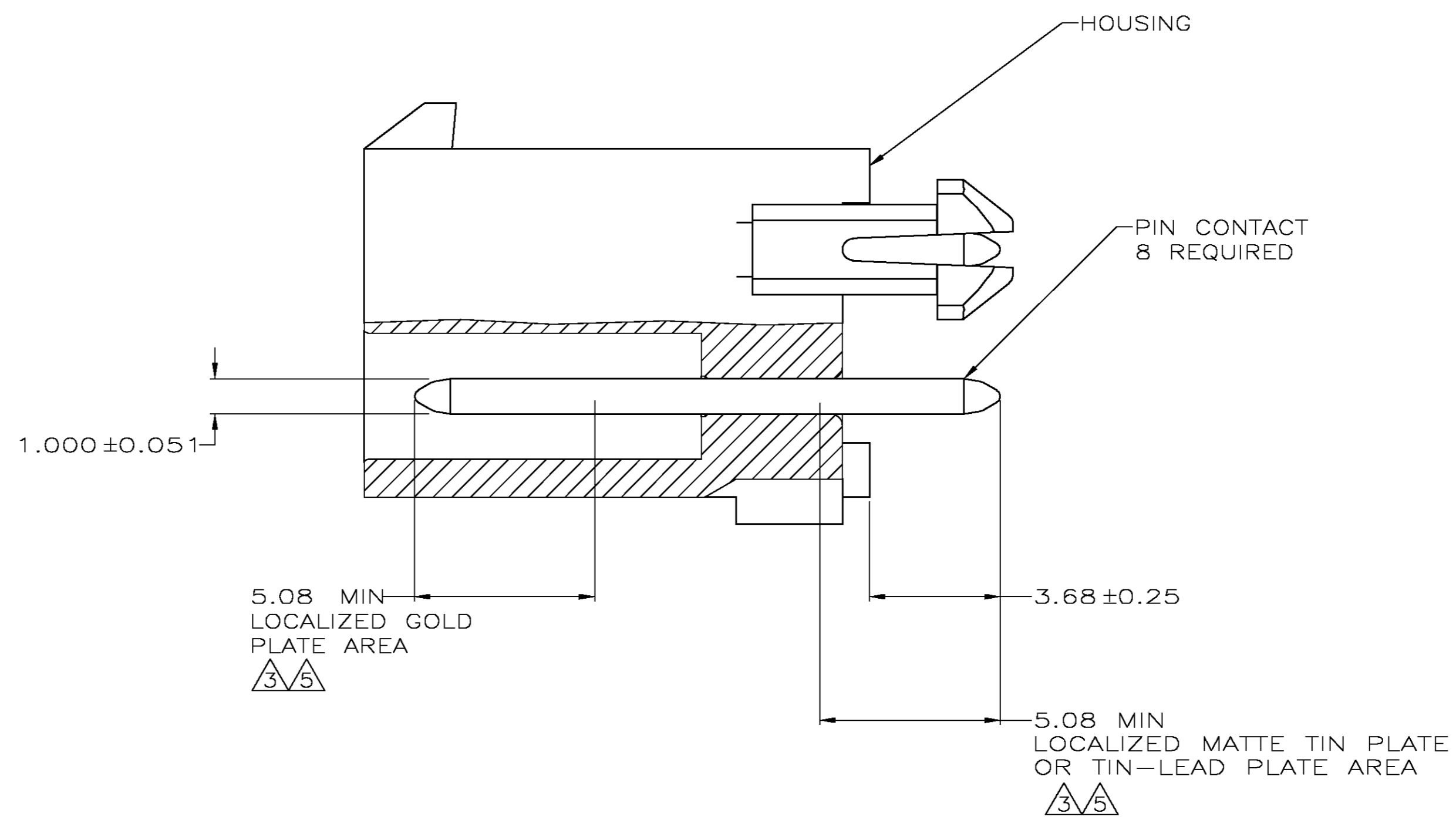
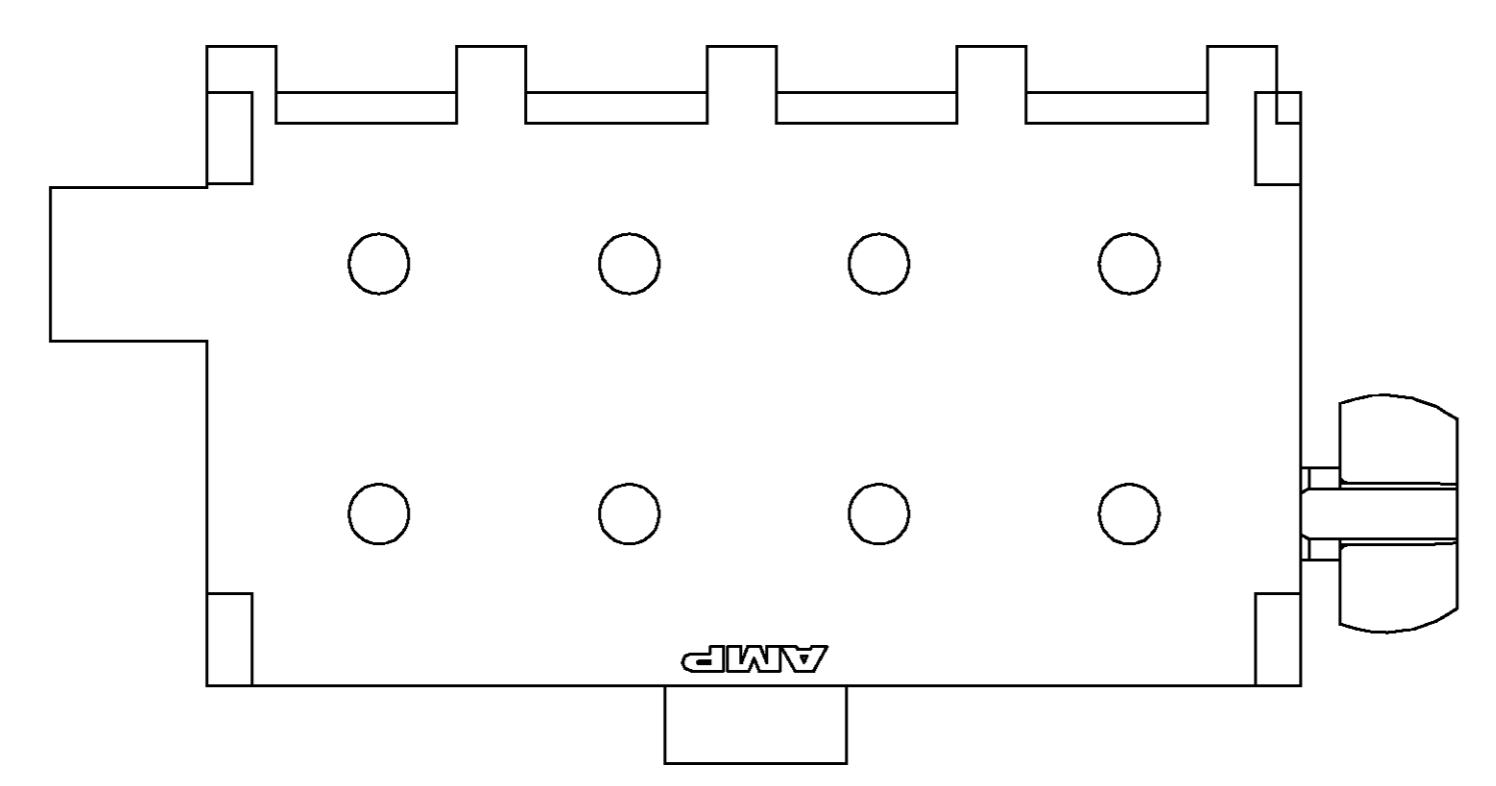
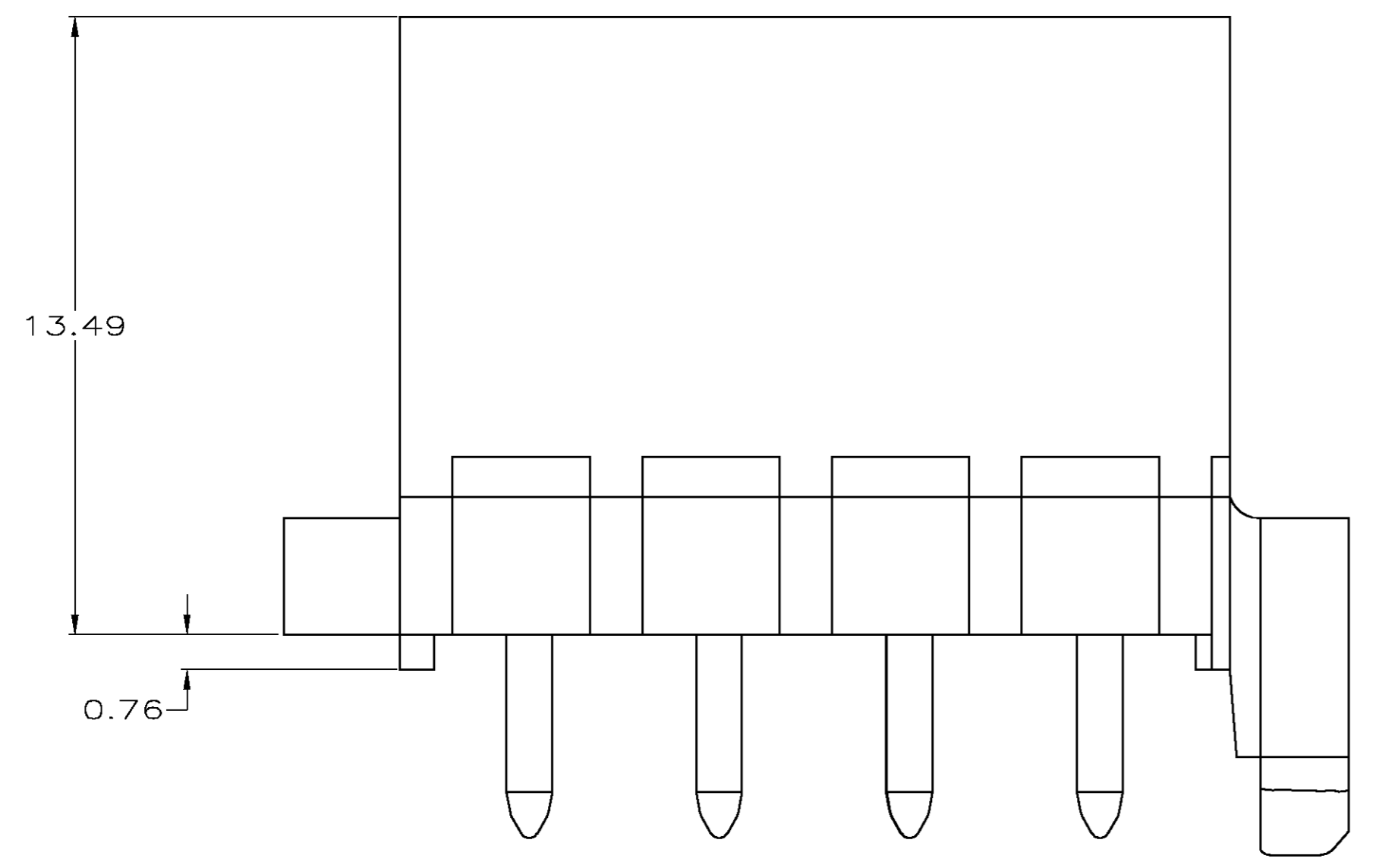
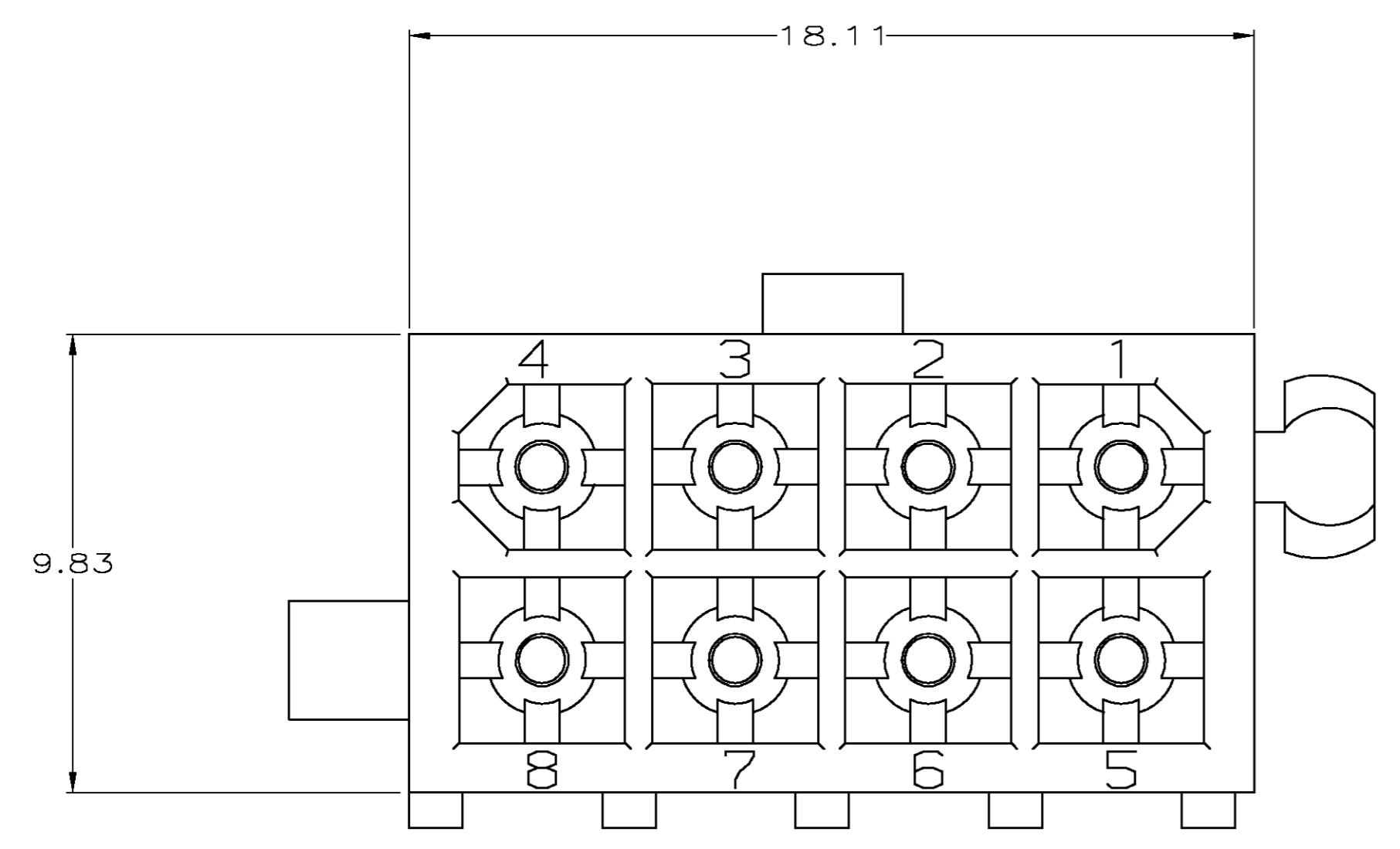


LOC		DIST		REVISIONS			
F	LTR	DESCRIPTION	DATE	DRN	APVD		
C		REVISED PER 063B-0211-05	6/7/05	SS	RJ		



RECOMMENDED MOUNTING HOLE PATTERN FOR 1.57 THICK P.C. BOARD

- PINS TO COMPLY WITH AMP SOLDERABILITY SPEC. 109-11-3.
- 0.00381 MIN MATTE TIN LEAD PLATE OVER 0.00127 MIN NICKEL.
- 0.00076 MIN GOLD PLATE IN THE LOCALIZED PLATE AREA, 0.00381 MATTE TIN LEAD IN THE LOCALIZED PLATE AREA, BOTH OVER 0.00127 MIN NICKEL.
- 0.00381 MIN MATTE TIN PLATE OVER 0.00127 MIN NICKEL.
- 0.00076 MIN GOLD PLATE IN THE LOCALIZED PLATE AREA, 0.00381 MATTE TIN IN THE LOCALIZED PLATE AREA, BOTH OVER 0.00127 MIN NICKEL.

PIN CONTACT MATERIAL AND FINISH	HOUSING MATERIAL AND COLOR	PART NUMBER
BRASS, GOLD	NYLON, 94V-0, WHITE	1-794073-1
BRASS, TIN	NYLON, 94V-0, WHITE	1-794073-0
BRASS, GOLD	NYLON, 94V-0, WHITE	794073-2
BRASS, TIN LEAD	NYLON, 94V-0, WHITE	794073-1

THIS DRAWING IS A CONTROLLED DOCUMENT.

DRW: K. WHITAKER	6-12-95	Tyco Electronics Corporation Harrisburg, Pa 17105-3608
CHK: R. SWING	6-12-95	
APPR: R. ORSTAD	6-13-95	NAME: R. ORSTAD
DIMENSIONS: mm TOLERANCES UNLESS OTHERWISE SPECIFIED: 0 PLC ± - 1 PLC ± - 2 PLC ± 0.13 3 PLC ± - 4 PLC ± - ANGLES ± - FINISH ± -		PRODUCT SPEC: - APPLICATION SPEC: - WEIGHT: - SIZE: A1 CAGE CODE: 00779 DRAWING NO: 794073
MATERIAL: SEE TABLE	WEIGHT: -	CUSTOMER DRAWING SCALE: 8:1 SHEET: 1 OF 1 REV: C